

IT'S EASY
#CLICK&GO
SO FAST &
RELIABLE

discovery[®]
SMART sl



GENTLE,
STABLE AND
EFFICIENT
#CLICKWORK



30
years
discovery®

discovery® smart sl is the new, innovative addition to the internationally successful premium bracket line discovery®: it is passively self-ligating and smart to handle. The high material quality and reliable opening/closing function are convincing features of the bracket.

#CLICK&GO – closing the lid is easy and intuitive by pushing it from incisal to occlusal.

„**CLICK**“ – the lid reliably and perceptibly clicks into place.

„**GO**“ – this can significantly reduce chair time as the archwire can be changed faster.

The passive low friction bracket discovery® smart sl allows gentle tooth movement and improves patient comfort. The reduction of friction and the controlling of forces ensure that tooth movement is efficient and gentle.



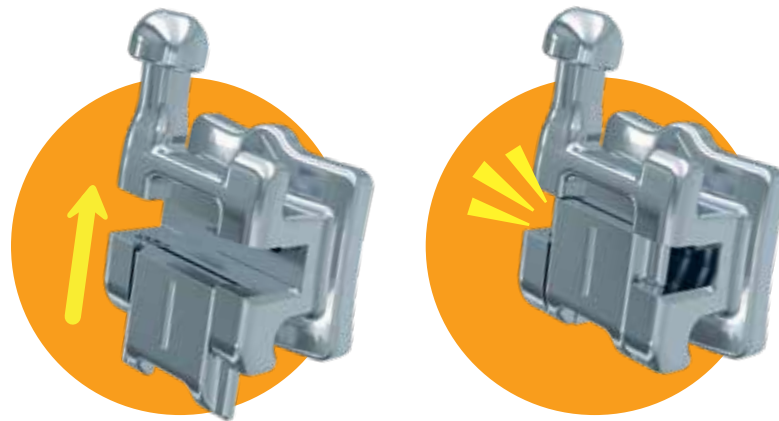
Find out
more online!

discovery® smart sl is manufactured at the Dentaureum headquarters in Ispringen, in the heart of the northern Black Forest, on highly modern and complex machinery using the MIM process – Made in Germany. Some of the proven strengths from the successful model discovery® smart have been included: the laser-structured base, the very low profile with a low In/Out of only 0.7 mm and the improved wing design.

The new family member, discovery® smart sl, stands for a very high level of security, precise rotation control and a clear, aesthetic design with a rounded surface. The lid can easily be opened with an intuitive turning movement using the opening instrument.

#CLICK&GO

Closing the lid is easy and intuitive by pushing it from incisal to occlusal. The lid clicks into place reliably and perceptibly.



IN
WI
ASE
FD

ANATOMICAL BASE

WITH PATENTED

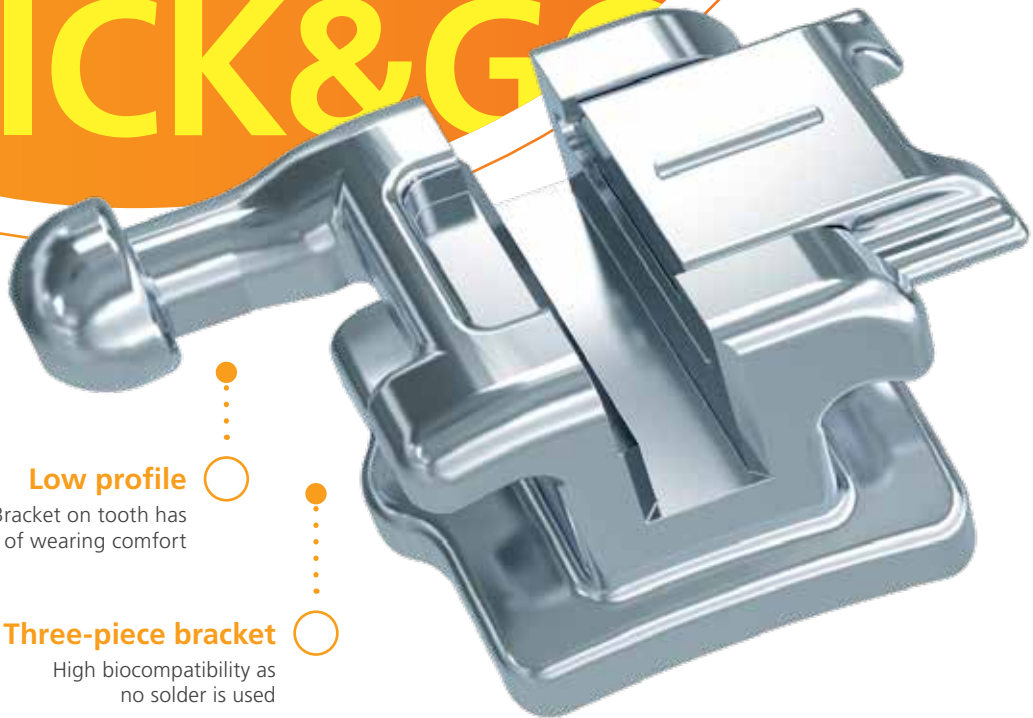
ER SURE

DI TECHNIQUE

#CLICK&GO



ALL FEATURES
MANY BENEFIT
SMILE, BRACI
#CLICK&GO



Low profile

Bracket on tooth has high level of wearing comfort

Three-piece bracket

High biocompatibility as no solder is used

Hook in mushroom-head design

Secure retention of attachments

Accurate fit

The lid can be moved easily

Mid-line marking

Facilitates alignment

Rounded surface in opening

Guided, safe positioning of the opening instrument

3D CAD anatomically formed bracket base

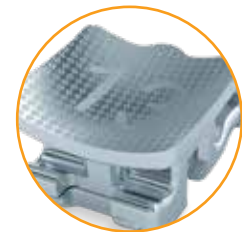
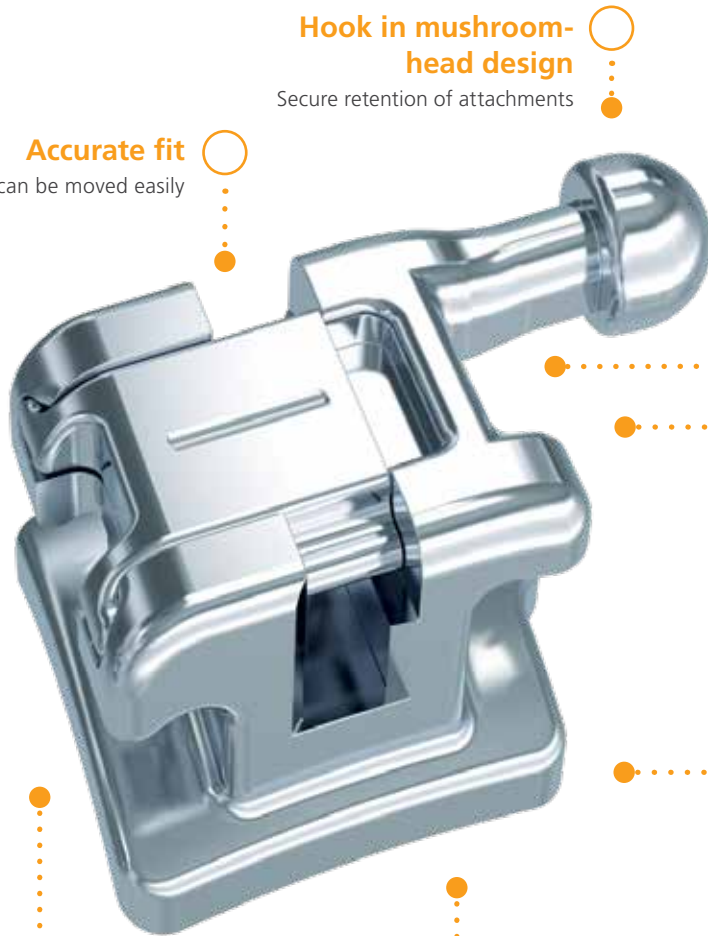
Sits well on the tooth

Patented laser structured base

With FDI notation for easy handling

Large undercut on tie wings

Easy and flexible ligation

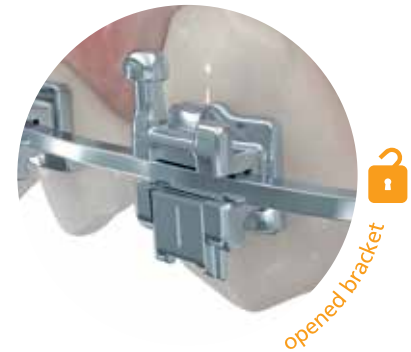
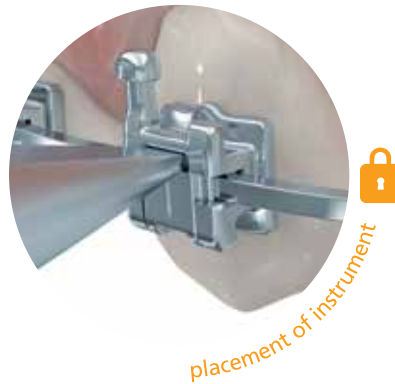


Specially developed instrument

The lid can easily be opened with an intuitive turning movement using the opening instrument.



Opening is easy



Function & comfort

The simple open and close mechanism allows the archwire to be changed quickly, thereby reducing chair time – simply **#CLICK&GO**.

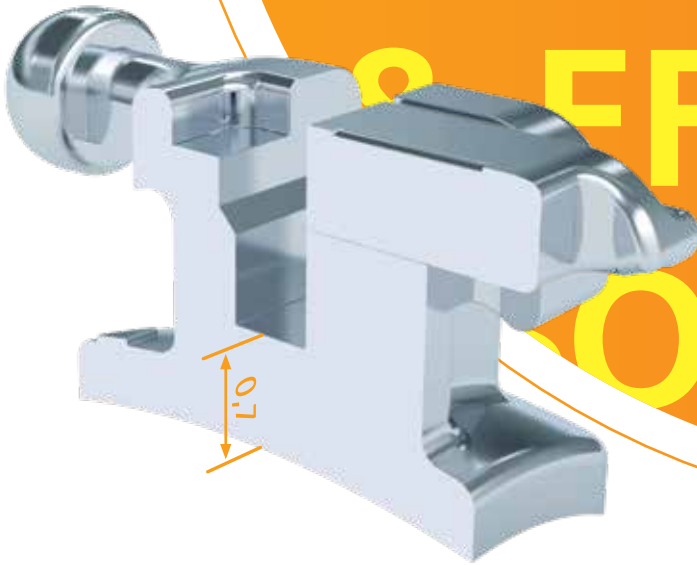
Ligation is simplified by the generous tie wing undercuts while the low profile, the proven dimensions and the smooth surfaces mean the bracket is comfortable to wear.

Efficiency & control

Friction in the bracket is minimized thanks to an individually curved slot contour and passive lid.

Rotation control is improved by the stable slot close to the tooth which ensures tooth movement is gentle and target-oriented.

EASY TO USE FUNCTIONAL & EFFICIENT NO SMART



Therapy & handling

The generous tie wing undercuts can be combined with all kinds of ligatures. The low In/Out is compatible with all discovery® brackets – without compensation bends. The patented, laser-structured base with FDI notation and the anatomically adapted 3D CAD bracket base ensure safe and easy placing.

Quality & biocompatibility

The precise MIM process and finely grained metal powder ensure accuracy of fit, smooth surfaces and stability – completely without solder for a high level of biocompatibility.

The ideal combination



ORTHOCAST SL

Smart handling, strong function

We have developed the self-ligating Ortho-Cast sl buccal tube for uncomplicated and comfortable treatment.

The focus: fast, uncomplicated placement of archwires in the molar area. Manufactured using the precise MIM process and based on the proven Ortho-Cast line, it unites all of the strengths of discovery® smart sl – for efficiency, comfort and reliability.



ORTHOCAST MINI M-SERIES

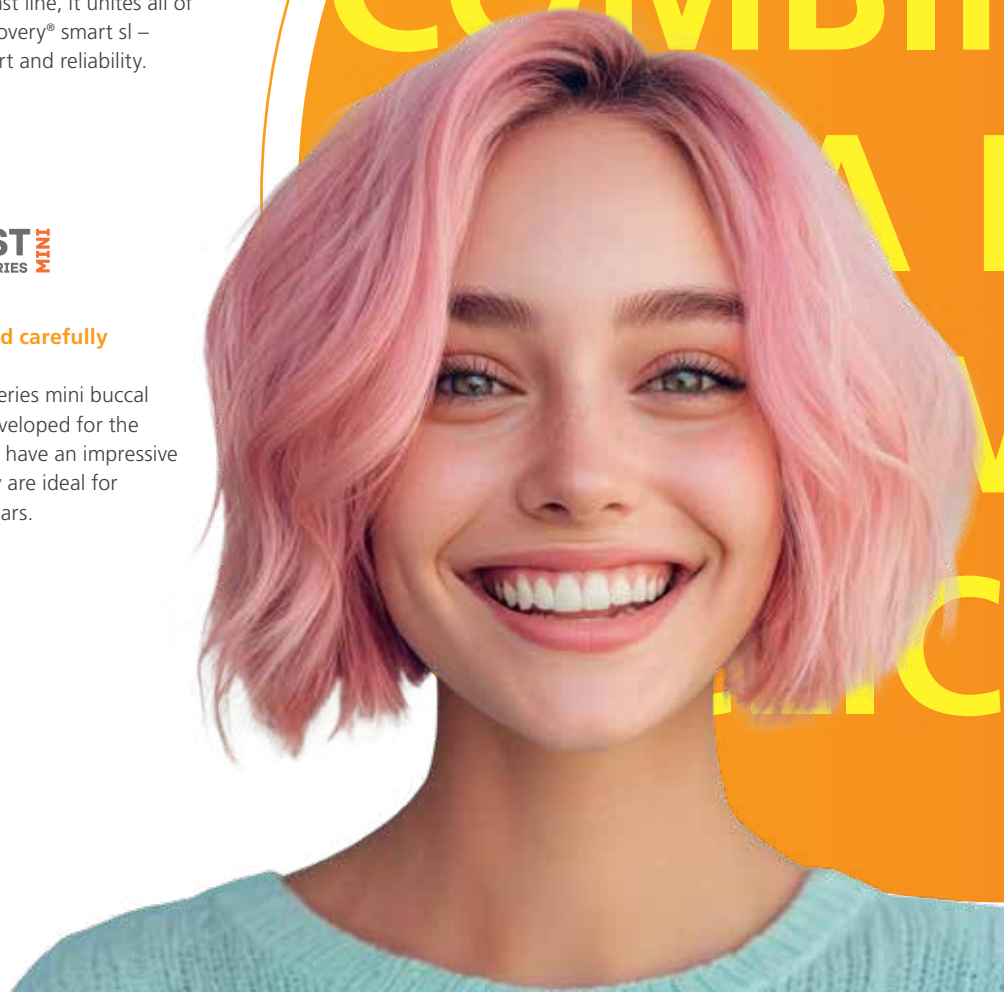
Precisely fitting and carefully considered

The Ortho-Cast M-Series mini buccal tubes – especially developed for the bonding technique – have an impressive delicate design. They are ideal for partially erupted molars.

Further accessories
such as archwires
can be found here:



FIND COMBIN



YOUR
NATION
PERFECT
MATCH!
K&GO



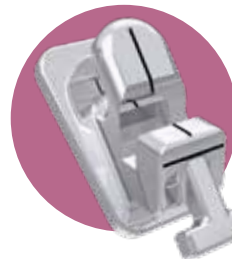
discovery[®]
SMART SL



discovery[®]
SMART



discovery[®]



discovery[®]
DELIGHT



discovery[®]
PEARL



CONTACT
DENTAURUM

Dentaaurum GmbH & Co. KG



Turnstr. 31
75228 Ispringen · Germany



info@dentaaurum.com
www.dentaaurum.com



+49 72 31/803-0



ONLINE SHOP
SHOP.DENTAURUM.COM