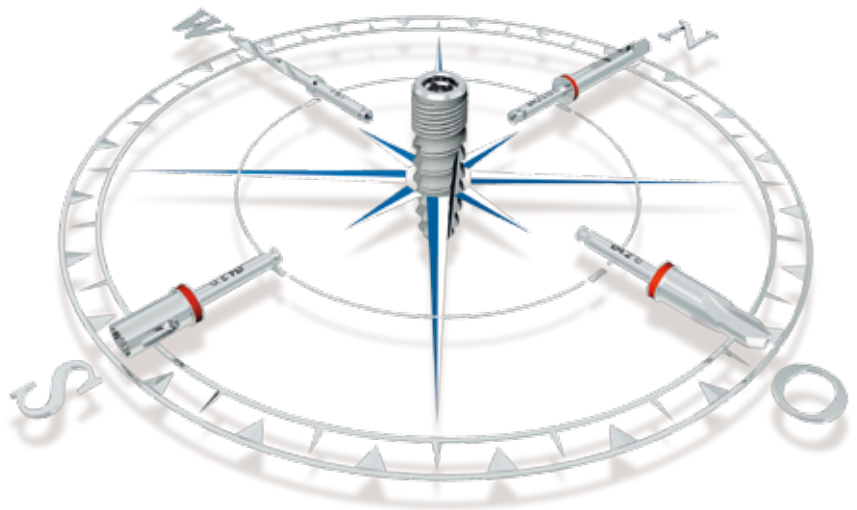


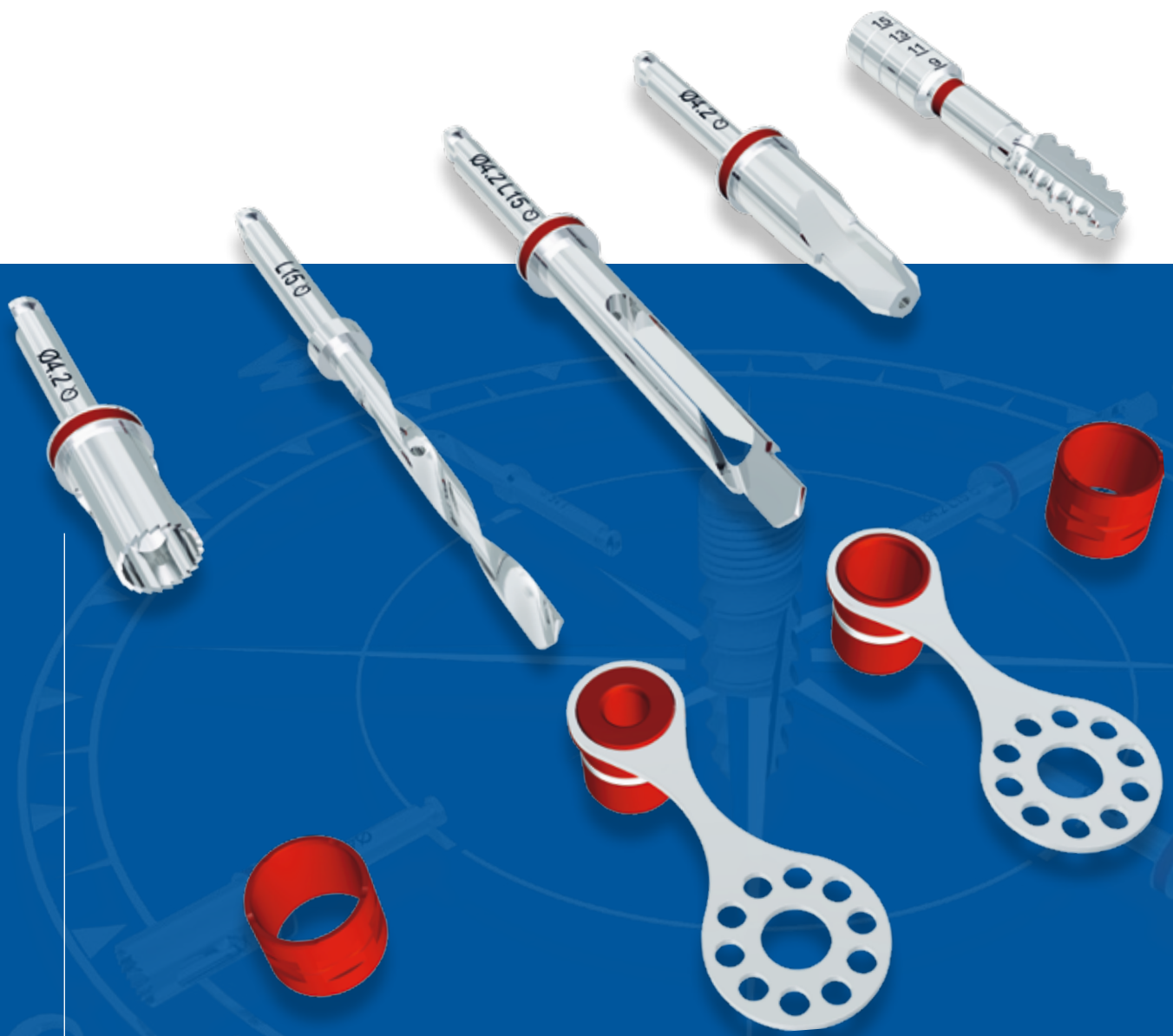
# Planned reliable implant placement.

Template-guided implant placement.



Planned reliable implant placement.

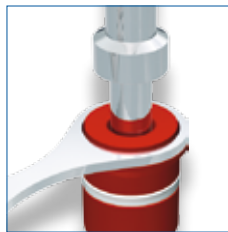
tioLogic® pOosition – template-guided implant placement.



tioLogic® pOosition drilling sequence.



Gentle preparation.



Precise fit.

Minimally invasive  
implant placement.

Structured guide system.

Modern 3D imaging techniques such as CT and DVT enable the operator to identify existing structures three-dimensionally in the jaw prior to surgery and coordinate the course of treatment accordingly. Implants can be positioned virtually with this imaging technique using 3D implant planning software, so that reliable template-guided surgery as well as functional and aesthetic prosthetic treatment is then possible.

tiologic<sup>®</sup> pO<sup>s</sup>ition is a template-guided surgical system, used for positioning tiologic<sup>®</sup> implants in the jaw with the aid of coordinated 3D implant planning software and a surgical stent.



**tiologic<sup>®</sup> pOstion Surgical Tray**

■ REF 387-420-00

Fully equipped for template-guided placement of tiologic<sup>®</sup> implants.

- for  $\varnothing$  3.3 mm /  $\varnothing$  3.7 mm /  $\varnothing$  4.2 mm /  $\varnothing$  4.8 mm /  $\varnothing$  5.5 mm
- reusable internally cooled instruments
- standard aluminium sterilisation container with stainless steel insert
- hydrophobic PTFE permanent filter
- incl. tiologic<sup>®</sup> DVD
- incl. tiologic<sup>®</sup> pOstion manual
- incl. tiologic<sup>®</sup> Surgery Manual



**Further Informationen**

Phone +49 72 31/803-560  
[www.dentaurum-implants.de](http://www.dentaurum-implants.de)