

The Dentaorium Bracket World



Rediscover aesthetics.

Aesthetic demands.



Made in Germany for more than 130 years.

Dentaurum is one of the oldest dental companies in the world and has numerous patents in orthodontics, dental technology and implantology. Our high-quality products are produced exclusively on site at Ispringen, near the “City of Gold” Pforzheim in Baden-Württemberg, Germany.

High performance for precision.

All brackets in the wide Dentaurum range, regardless of metal or ceramic, are manufactured in state-of-the-art design and production procedures on site at Ispringen, Germany. All these processes have been optimized and perfectly coordinated over the years. The decisive factor is the highest precision to ensure safe and reliable application in orthodontic treatment. With innovative production technologies, such as the CIM process (Ceramic Injection Molding), the most diverse ceramic products can be manufactured using injection molding. The chemical production at Dentaurum requires continual development of aesthetic materials to enable us to react optimally to the increased demand in the ceramic bracket sector.

[Made in Germany.]

The highest quality standards.

The professional quality management system of Dentaureum fulfils all the requirements of the directives for medical device manufacturers and international standards: 93/42 EWG, DIN EN ISO 9001, and DIN EN ISO 13485. The quality of all products that leave Dentaureum is carefully checked. In this way even the smallest deviations in the quality of the product are detected quickly and the causes remedied in the production process. There is an experienced team of dental technicians and dental assistants available to answer any questions about products or their application.

First-class service.

Service is very important at Dentaureum. In Germany, Austria and Switzerland there are expert medical product advisers in your locality. In addition, we can be found virtually all over the world with our subsidiaries and representatives. We can be contacted personally and also at any time worldwide via the internet. The multilingual internet presence is the central information platform of the Dentaureum Group. The website has a large interactive service area, a media library with many videos and an extensive download area.



fascinatingly natural.



Maximum quality and performance naturally without compromise.

discovery® pearl transcends all the previous boundaries of aesthetics, quality and performance. When it is bonded to the tooth, discovery® pearl adapts perfectly to the natural environment of the tooth due to its shade and high degree of translucency.

The bracket is made completely from ceramic without any bothersome metal inserts in the slot. It was designed in one piece and manufactured on state-of-the-art production facilities using the CIM process (Ceramic Injection Molding).

The base of the bracket is optimally adapted to the contour of the tooth using CAD (Computer-Aided Design), which allows it to be easily positioned on the tooth. In addition, a clear system consisting of colored placement aids and FDI notation on the base facilitates tooth-specific assignment of each bracket. The placement aids also help the operator align and place the bracket very easily.

The innovative laser-structured base ensures a strong bond, enables safe & reliable debonding, and guarantees that discovery® pearl will produce optimal treatment outcomes and meet the ever increasing demands for aesthetic tooth correction!

"THE PEARL IS THE EPITOME OF NATURAL BEAUTY. IT DEVELOPS INSIDE AN OYSTER AND REQUIRES TIME TO MATURE TO PERFECTION."

Proven bracket geometry of the discovery® family

ensures easy combination between discovery® metal and ceramic brackets.

Perfect shade adaptation

to the natural environment of the tooth – as if the bracket was not there.

Colored placement aids

facilitate positioning on the tooth.

Optimal size

compact in design for optimal treatment & patient comfort.

Anatomical base

for a perfect fit on the tooth.

Laser-structured base

with optimal bonding and debonding characteristics.



dinamique[®] Self-ligating ceramic bracket.



The aesthetic design of the self-ligating bracket *dinamique*[®] c is convincing. The bracket is hardly visible in the mouth because of its ceramic design, and less check-up visits and time in the chair may be needed thanks to the bracket clip. This is rhodium-plated and made with a premium chrome cobalt alloy.

The bracket is pleasant to wear since its surface is smooth and its edges are rounded.

The base of the brackets has been optimally adapted to the tooth contour, making positioning on the tooth easier. The brackets can be easily allocated to the correct tooth by means of a water-soluble color marking.

The alumina powder coating on the base surface ensures a strong mechanical bonding strength.

NOTHING IS MORE INDIVIDUAL THAN THE PERCEPTION OF AESTHETICS

Water-soluble color marking.

Easy matching to correct tooth.

From passive to active.

Ideal control during all treatment phases.

Anatomically adapted bracket base.

Perfect fit on tooth.

Base with alumina powder.

Good retention and easy debonding.

Rounded edges and optimum wing design.

Extremely comfortable to wear and easy, flexible ligation.

**Rhodium-coated clip
made of premium chrome cobalt alloy.**

Long durability. Easy to open and close. Good aesthetics.

Guide slot with closing clip.

Safe throughout the entire therapy.

Perfect color adaptation to the natural teeth.

More aesthetics.



Elegance® The light plastic bracket.



Inconspicuous elegance.

Elegance® plastic brackets are virtually invisible intra-orally due to the use of special glass-fiber reinforced polycarbonate (composite). They provide a good alternative to ceramic brackets with regard to aesthetic orthodontic treatment. The material, which was specially developed for Elegance® plastic brackets, provides for high fracture-resistance and outstanding abrasion-resistance. A minimized bracket base was produced with the aid of CAD/CAM.

A metal slot, which is completely integrated in the composite, guarantees optimal sliding properties. Integration in the composite means that the metal slot cannot become detached.

Metal slot and canine hook were produced in a one-piece construction, achieving excellent stability.

Every Elegance® bracket is individually color coded and can therefore be clearly assigned to the appropriate tooth. The markings can be easily removed before inserting the archwires.

"IF A BIRD SHEDS A FEATHER, IT IS, IF NO ONE NOTICES, SEEMINGLY UNIMPORTANT. IF THE WIND WAFTS THE FEATHER UP IN THE AIR, IT CAN BE THE BEGINNING OF A DREAM, A STORY."

Excellent mechanical bond strength

due to undercuts.

Integrated metal slot

ensures optimal sliding properties.

Tooth-colored polycarbonate

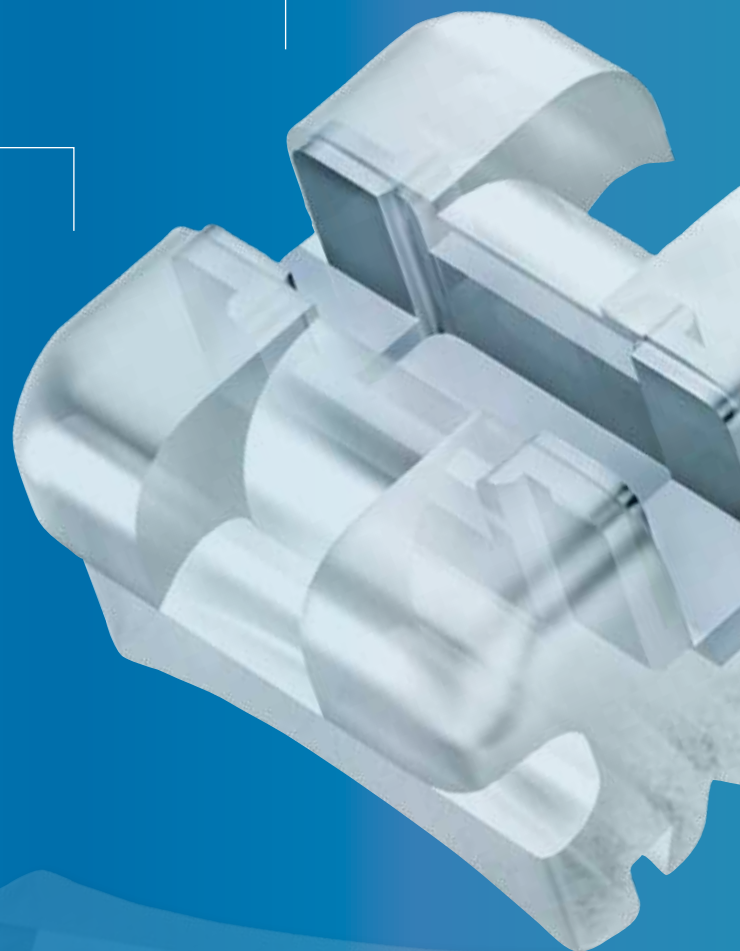
produces impressive aesthetics.

High stability

against fracture and abrasion.

Individual marking

for quick & efficient tooth assignment.





Dentaurum Group

Germany | Benelux | España | France | Italia | Switzerland | Australia | Canada | USA
and in more than 130 countries worldwide.



DENTAURUM
QUALITY
WORLDWIDE
UNIQUE

➔ For more information on our products and services, please visit www.dentaurum.com

Date of information: 08/18

Subject to modifications



www.dentaurum.com



Like us on Facebook!



YouTube

Visit us on YouTube!



Follow us on Pinterest!

D
DENTAURUM