

OVERVIEW

equilibrium®

equilibrium® - convinces.

equilibrium® line in detail

- 1 The FDI marking on the laser-structured base is abrasion resistant and does not contain any harmful coloring agents.
- 2 Micro and macro retentions make optimum bonding possible whilst guaranteeing safe debonding.
- 3 The design of the rhomboid base with central marking facilitates placement on the clinical crown.
- 4 The brackets are laser-marked to ensure they can be clearly identified and positioned.
- 5 The low In/Out values enable an ideal application of force.



Comparison in size equilibrium® mini/equilibrium® 2



AESTHETICS
FUNCTIONALITY
PRECISION

989-805-16 Printed by Dentaaurum Germany 2023-11

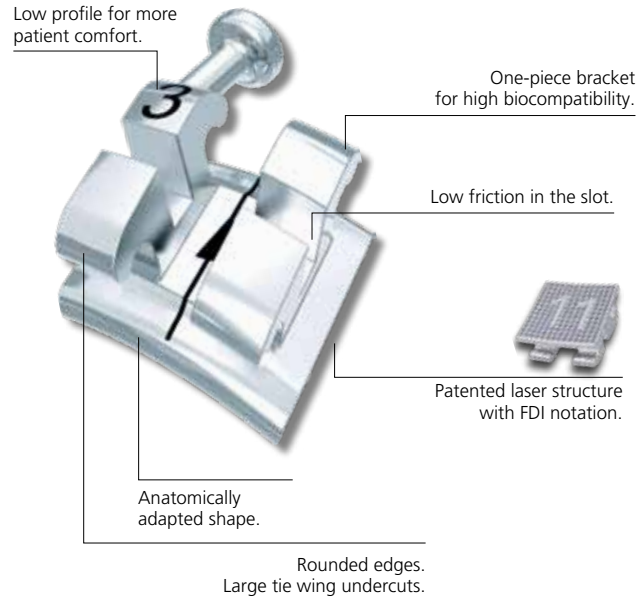
D
DENTAURUM

Turnstr. 31 | 75228 Ispringen | Germany | Tel. +497231/803-0
Fax +497231/803-295 | www.dentaaurum.com | info@dentaaurum.com

D
DENTAURUM

equilibrium® mini

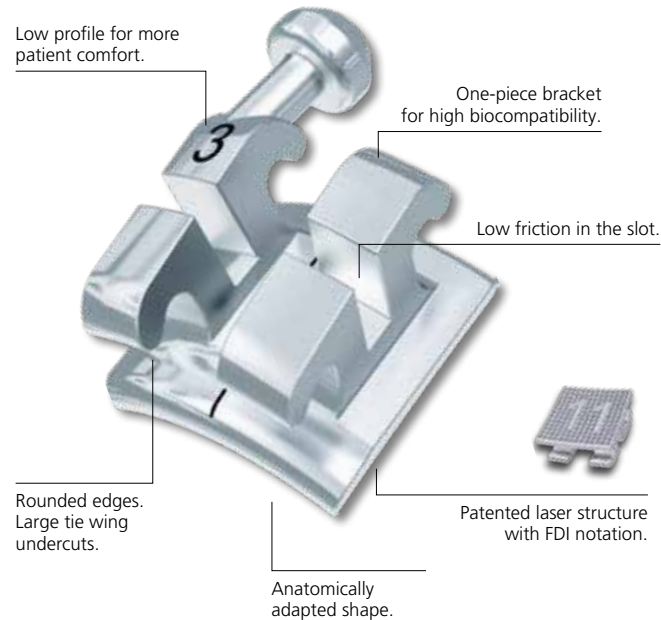
equilibrium® mini is one of the smallest brackets in the world and 40% smaller in comparison with equilibrium® 2.



COMFORT



equilibrium® 2



equilibrium® line

HARMONY