

# tomas<sup>®</sup> PI

Palatal Implant



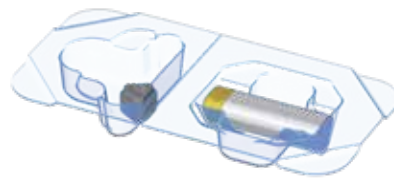
experience *& passion.*



# 6 REASO



Delivery in sterile blister packaging, including healing cap.

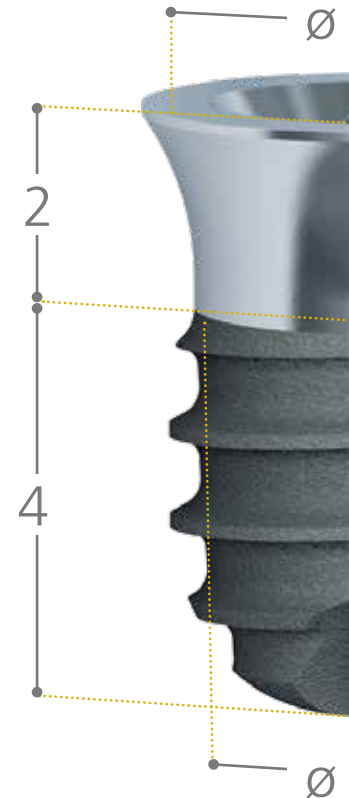


Success in a few steps.

- 2 drill sequences and the self-tapping threads facilitate implantation.
- The tulip-shaped neck in combination with the convex healing cap reduces gingiva overgrowth.



Machine cleaning and disinfection of the fully loaded instrument holder for efficient work processes.



# OPTIONS FOR TOMAS® PI



Universal abutment serves as closure cap during healing phase and as coupling element for the appliance during treatment phase.

➔ Additional abutments for direct and indirect coupling available.



Digital and analog workflow possible.



Easy explanation using the tools available in the tomas® PI-tool set.

# Dentaurum

Germany | Benelux | España | France | Italia | Switzerland | Australia | Canada | USA  
and in more than 130 countries worldwide.



DENTAURUM  
QUALITY  
WORLDWIDE  
UNIQUE

	<a href="http://www.dentaurum.com">www.dentaurum.com</a>		

Date of information: 09/21  
Subject to modifications

