

Self-ligating brackets.

Dynamic and functional.



DENTAURUM
**ONLINE
SHOP**
shop.dentaurum.com



The logo for discovery® sl features the word "discovery" in a bold, black, sans-serif font with a registered trademark symbol. A thin, black, curved line arches over the word. To the right of "discovery" is the text "sl" in a red, italicized, sans-serif font.The logo for discovery® sl 2.0 features the word "discovery" in a bold, black, sans-serif font with a registered trademark symbol. A thin, black, curved line arches over the word. Below "discovery" is the text "sl 2.0" in a blue, sans-serif font.

Orthodontic treatment at a high standard.

The self-ligating bracket systems discovery® sl from Dentaaurum have much to offer: for the patient, the brackets are easy to handle and are comfortable to wear; for the dental office, they are easy to handle and offer effective treatment with only short periods of time in the chair.

discovery® sl and discovery® sl 2.0 still rank among the smallest and flattest sl-brackets on the market. At the heart of the design lies a closing mechanism in the form of a lid. The lid has a smooth surface making it comfortable for the patient to wear and is designed to be closed during treatment, thereby offering a high level of hygiene. An instrument is available specifically for opening and closing the lid. The sl brackets from Dentaaurum impress both patients and orthodontists and fulfill all of the requirements expected of a modern bracket system.

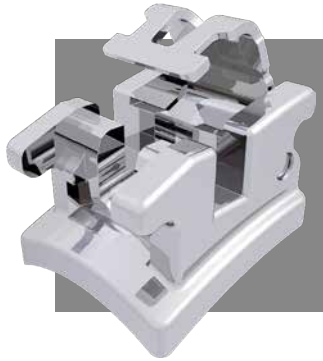
discovery® sl

One of the smallest sl-brackets in the world.



discovery® sl 2.0

Proven design for your success.



Self-ligating brackets

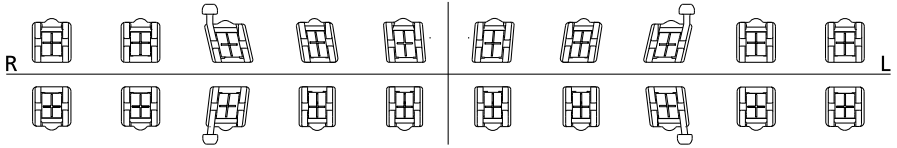
discovery® sl / Assortments

Roth 18

Slot: 0.46 mm x 0.64 mm / 18 x 25 · Cuspid brackets with hook

Torque	- 7°	- 7°	- 2°	+ 8°	+ 12°	+ 12°	+ 8°	- 2°	- 7°	- 7°
Angulation	0°	0°	+ 13°	+ 9°	+ 5°	+ 5°	+ 9°	+ 13°	0°	0°
In/Out	0.7 mm	0.7 mm	0.7 mm	1.3 mm	1.3 mm	0.7 mm	1.3 mm	0.7 mm	0.7 mm	0.7 mm
Width	2.6 mm	2.6 mm	2.7 mm	2.4 mm	2.6 mm	2.6 mm	2.4 mm	2.7 mm	2.6 mm	2.6 mm
REF	718-101-15	718-101-14	718-141-13	718-101-12	718-101-11	718-101-21	718-101-22	718-141-23	718-101-24	718-101-25
Quantity	1 piece	1 piece	1 piece	1 piece	1 piece	1 piece	1 piece	1 piece	1 piece	1 piece

Even easier bracket identification with FDI-marking on the base!



Torque	- 22°	- 17°	- 11°	- 1°	- 1°	- 1°	- 1°	- 11°	- 17°	- 22°
Angulation	0°	0°	+ 7°	0°	0°	0°	0°	+ 7°	0°	0°
In/Out	0.7 mm	0.7 mm	0.7 mm	1.3 mm	1.3 mm	1.3 mm	1.3 mm	0.7 mm	0.7 mm	0.7 mm
Width	2.6 mm	2.6 mm	2.7 mm	2.4 mm	2.4 mm	2.4 mm	2.4 mm	2.7 mm	2.6 mm	2.6 mm
REF	718-101-45	718-101-44	718-141-43	718-101-42	718-101-41	718-101-31	718-101-32	718-141-33	718-101-34	718-101-35
Quantity	1 piece	1 piece	1 piece	1 piece	1 piece	1 piece	1 piece	1 piece	1 piece	1 piece

Assortments:

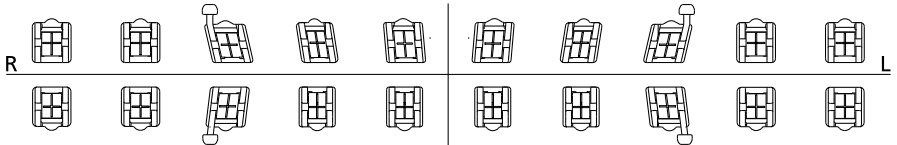
1 case	20 brackets	REF 718-101-01
10 cases	200 brackets	REF 718-101-10

Roth 22

Slot: 0.56 mm x 0.64 mm / 22 x 25 · Cuspid brackets with hook

Torque	- 7°	- 7°	- 2°	+ 8°	+ 12°	+ 12°	+ 8°	- 2°	- 7°	- 7°
Angulation	0°	0°	+ 13°	+ 9°	+ 5°	+ 5°	+ 9°	+ 13°	0°	0°
In/Out	0.7 mm	0.7 mm	0.7 mm	1.3 mm	0.7 mm	0.7 mm	1.3 mm	0.7 mm	0.7 mm	0.7 mm
Width	2.6 mm	2.6 mm	2.7 mm	2.4 mm	2.6 mm	2.6 mm	2.4 mm	2.7 mm	2.6 mm	2.6 mm
REF	722-101-15	722-101-14	722-141-13	722-101-12	722-101-11	722-101-21	722-101-22	722-141-23	722-101-24	722-101-25
Quantity	1 piece	1 piece	1 piece	1 piece	1 piece	1 piece	1 piece	1 piece	1 piece	1 piece

Even easier bracket identification with FDI-marking on the base!



Torque	- 22°	- 17°	- 11°	- 1°	- 1°	- 1°	- 1°	- 11°	- 17°	- 22°
Angulation	0°	0°	+ 7°	0°	0°	0°	0°	+ 7°	0°	0°
In/Out	0.7 mm	0.7 mm	0.7 mm	1.3 mm	1.3 mm	1.3 mm	1.3 mm	0.7 mm	0.7 mm	0.7 mm
Width	2.6 mm	2.6 mm	2.7 mm	2.4 mm	2.4 mm	2.4 mm	2.4 mm	2.7 mm	2.6 mm	2.6 mm
REF	722-101-45	722-101-44	722-141-43	722-101-42	722-101-41	722-101-31	722-101-32	722-141-33	722-101-34	722-101-35
Quantity	1 piece	1 piece	1 piece	1 piece	1 piece	1 piece	1 piece	1 piece	1 piece	1 piece

Assortments:

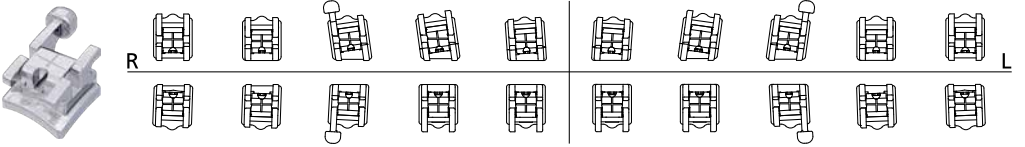
1 case	20 brackets	REF 722-101-01
10 cases	200 brackets	REF 722-101-10

McLaughlin-Bennett-Trevisi** 22

Slot: 0.56 mm x 0.70 mm / 22 x 28 - Cuspid brackets with hook

Torque	- 7°	- 7°	0°	+ 10°	+ 17°	+ 17°	+ 10°	0°	- 7°	- 7°
Angulation	0°	0°	+ 8°	+ 8°	+ 4°	+ 4°	+ 8°	+ 8°	0°	0°
In/Out	1.2 mm	0.7 mm	0.7 mm	1.3 mm	0.7 mm	0.7 mm	1.3 mm	0.7 mm	0.7 mm	1.2 mm
Width	2.6 mm	2.6 mm	2.6 mm	2.6 mm	2.6 mm	2.6 mm	2.6 mm	2.6 mm	2.6 mm	2.6 mm
REF	722-102-15	722-102-14	722-142-13	722-102-12	722-102-11	722-102-21	722-102-22	722-142-23	722-102-24	722-102-25
Quantity	1 piece	1 piece	1 piece	1 piece	1 piece	1 piece	1 piece	1 piece	1 piece	1 piece

Even easier bracket identification with FDI-marking on the base!



Torque	- 17°	- 12°	0°	- 6°	- 6°	- 6°	- 6°	0°	- 12°	- 17°
Angulation	+ 2°	+ 2°	+ 3°	0°	0°	0°	0°	+ 3°	+ 2°	+ 2°
In/Out	0.7 mm	0.7 mm	0.7 mm	1.3 mm	1.3 mm	1.3 mm	1.3 mm	0.7 mm	0.7 mm	0.7 mm
Width	2.6 mm	2.6 mm	2.6 mm	2.6 mm	2.6 mm	2.6 mm	2.6 mm	2.6 mm	2.6 mm	2.6 mm
REF	722-102-45	722-102-44	722-142-43	722-102-42	722-102-41	722-102-31	722-102-32	722-142-33	722-102-34	722-102-35
Quantity	1 piece	1 piece	1 piece	1 piece	1 piece	1 piece	1 piece	1 piece	1 piece	1 piece

Assortments:

1 case	20 brackets	REF 722-102-01
--------	-------------	-----------------------

** The Dentaureum version of this prescription is not claimed to be a duplication of any other, nor does Dentaureum imply that it is endorsed in any way by Drs. McLaughlin, Bennett and Trevisi.



Self-ligating brackets

Instruments and accessories



sl-instrument, for discovery® sl sterilizable

For opening and closing self-ligating brackets **discovery® sl** (Roth system), **dynamique® m** and **dynamique® c**, and for easier ligation of the archwire.

REF 023-276-00

1 piece



sl-instrument, for discovery® sl 2.0 sterilizable

For opening and closing self-ligating brackets **discovery® sl 2.0** (McLaughlin-Bennett-Trevisi* system) and easier ligation of the archwire.

REF 023-277-00

1 piece

* The Dentaaurum version of this prescription is not claimed to be a duplication of any other, nor does Dentaaurum imply that it is endorsed in any way by Drs. McLaughlin, Bennett and Trevisi.



Orthodontic demonstration model discovery® sl

Angle Class I, normal occlusion

Roth 22

Fitted with:

- discovery® sl self-ligating metal brackets
- Ortho-Cast M-Series mini buccal tubes
- Equire stainless steel arch, maxilla
- rematitan® sl arch, mandible

Maxilla and mandible made of plastic, hinged.

REF 892-000-17

1 piece



Orthodontic demonstration model discovery® sl 2.0

Angle Class I, normal occlusion

McLaughlin-Bennett-Trevisi* 22

Fitted with:

- discovery® sl 2.0 self-ligating metal brackets
- Ortho-Cast M-Series and M-Series mini buccal tubes
- Tensic® arches

Maxilla and mandible made of plastic, hinged.

REF 892-000-19

1 piece

* The Dentaaurum version of this prescription is not claimed to be a duplication of any other, nor does Dentaaurum imply that it is endorsed in any way by Drs. McLaughlin, Bennett and Trevisi.

